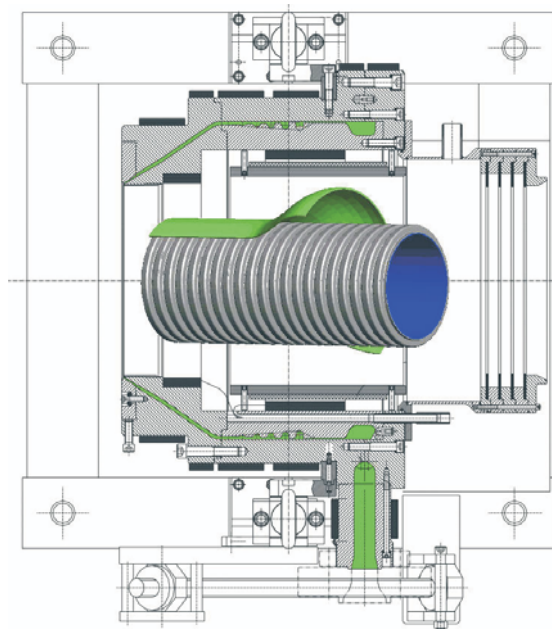
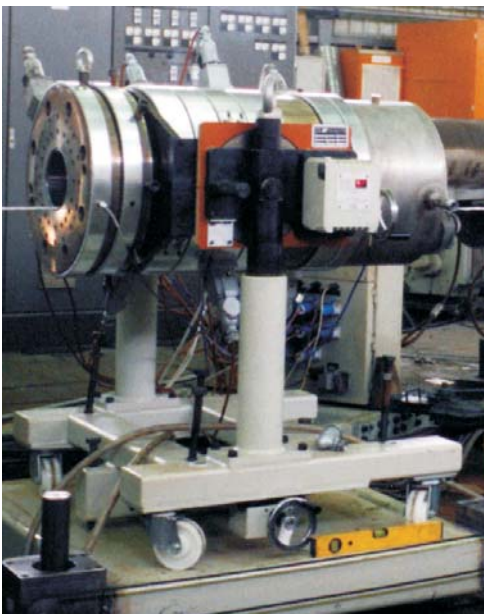


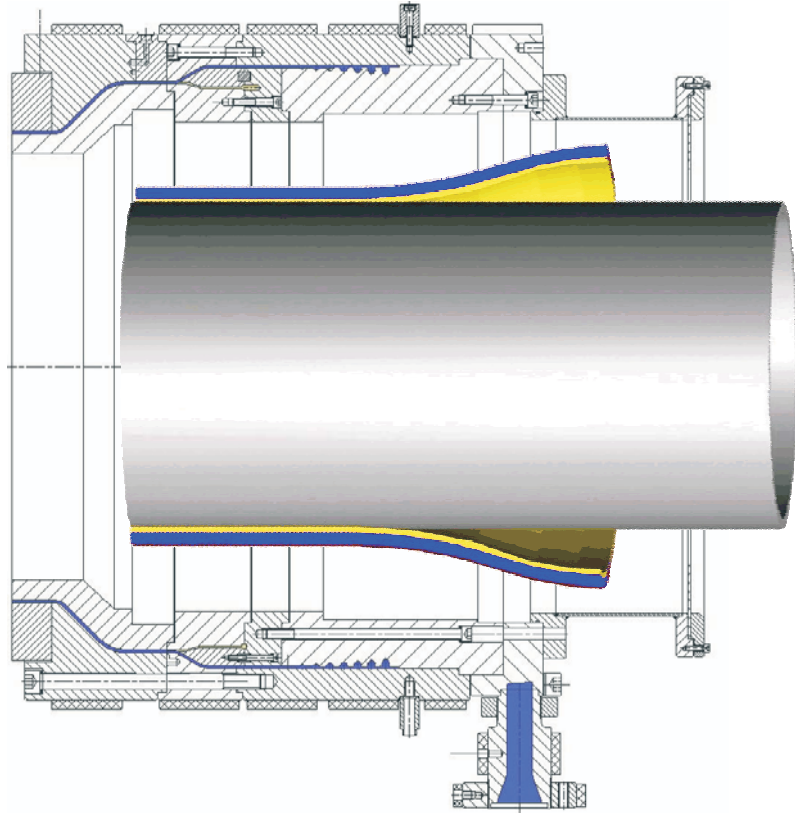
Coating and Sheathing

ETA spiral mandrel technology provides a broader range in comparison to conventional systems when coating steel or - more and more - plastic pipes and sheathing cables or conductors. Not only rigid products can be coated, but also flexibles like woven fabric hoses.

Application Examples

- PE 100 pipes with PP protective skin layer, also for large dimensions up to 700 mm diameter
- PE-Xa pipes with EVOH barrier layer for under-floor heating
- composite PE-X or PA pipes with metal barrier
- double-wall corrugated pipes with smooth outer layer
- long heat transfer pipes with Urethane foam insulation and outer PE skin layer
- outside and internal coating of woven fabrics





This two-layer die is used for coating pipes up to 700 mm diameter with intermediate adhesive layer.

ETA also supplies die systems for inner and outer coating of flexible hoses, e. g. fabrics.



ETA Kunststofftechnologie GmbH

Biberweg 4
53842 Troisdorf / Germany
Fon: +49 / 2241 / 949707
Fax: +49 / 2241 / 949709
mail@eta-gmbh.de
www.eta-gmbh.de

